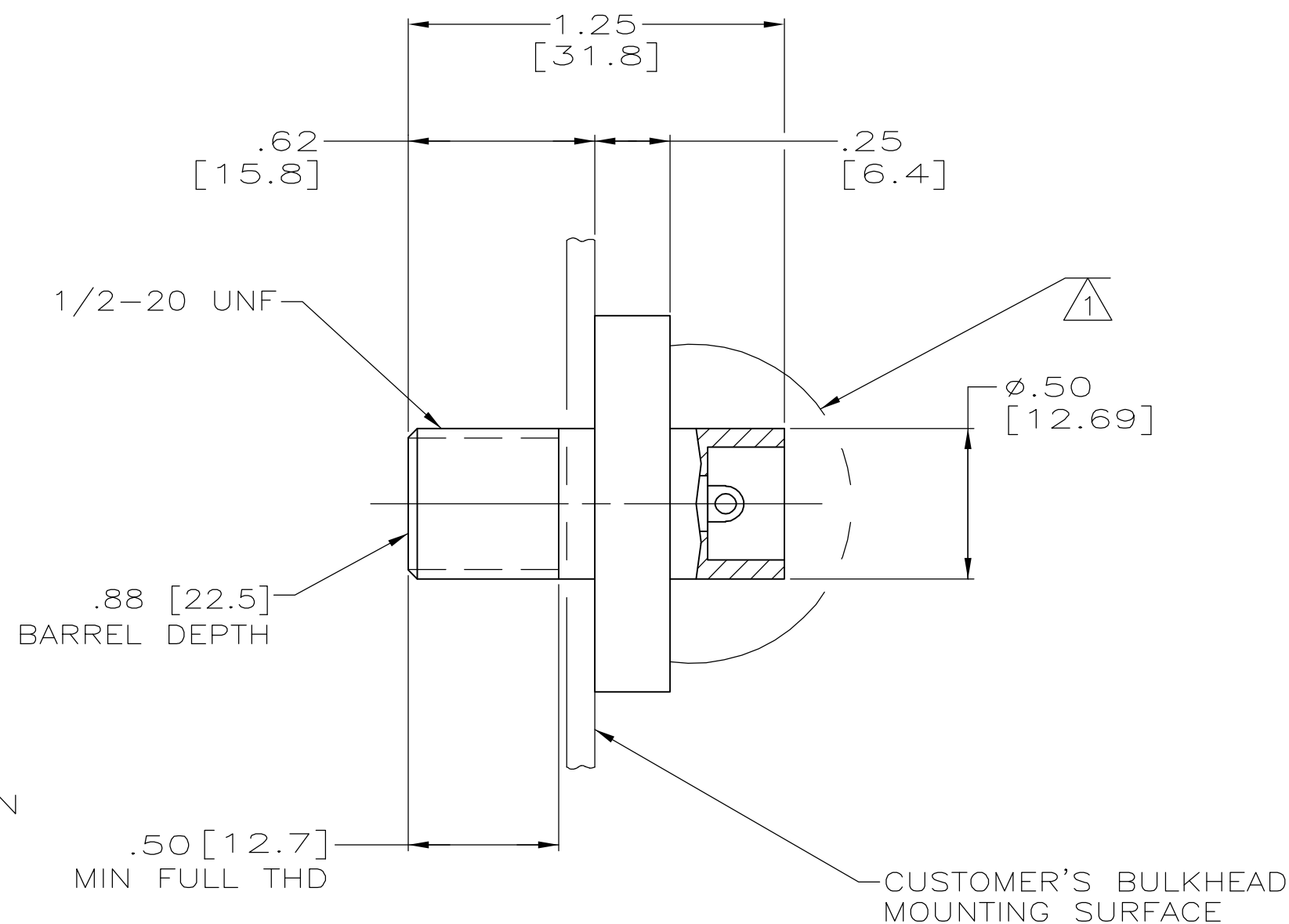
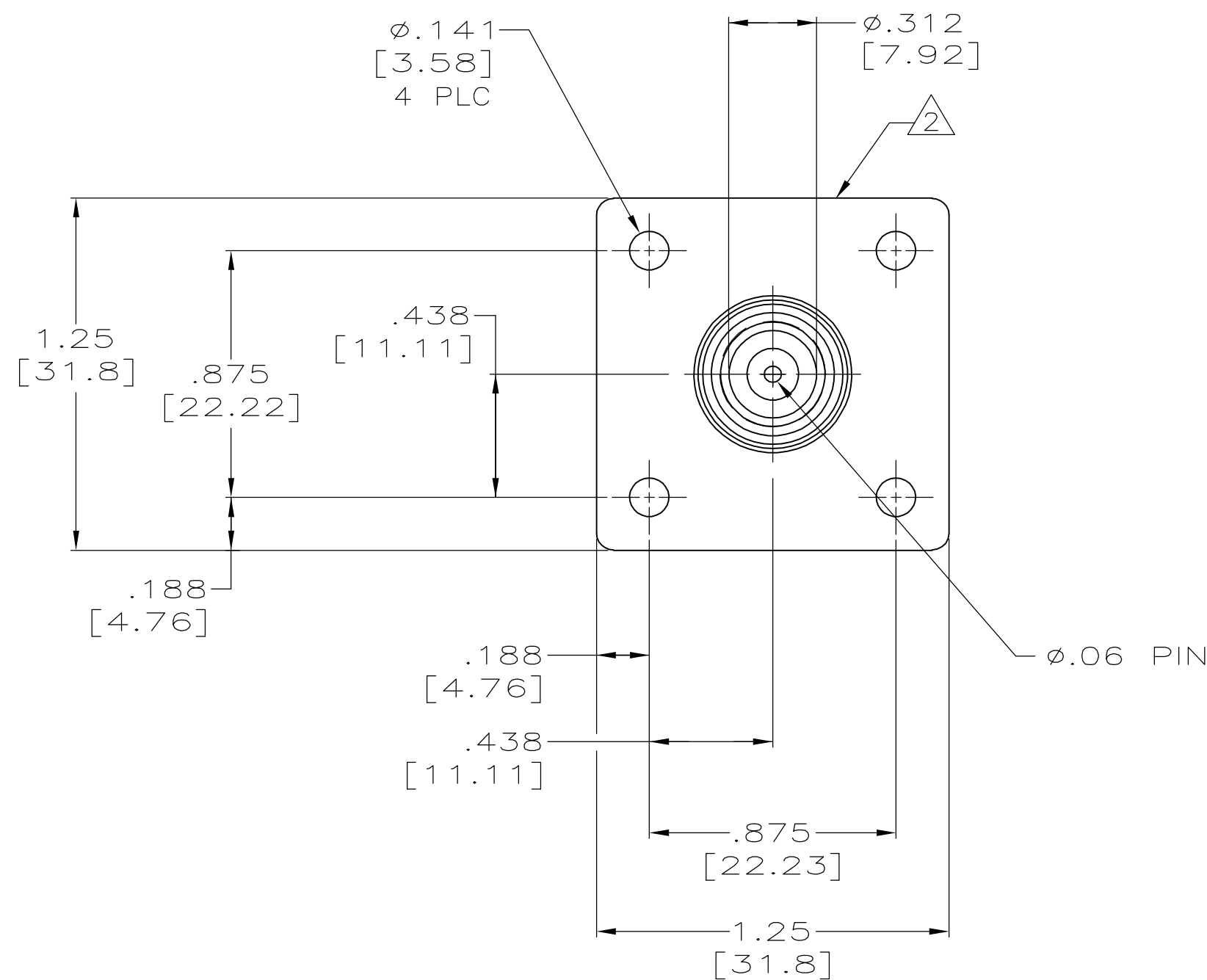


THIS DRAWING IS UNPUBLISHED. RELEASED FOR PUBLICATION - N/A .  
 © COPYRIGHT N/A BY TYCO ELECTRONICS CORPORATION. ALL RIGHTS RESERVED.

LOC	DIST	REVISIONS					
DF	S0	P	LTR	DESCRIPTION	DATE	DWN	APVD
		K		REV PER 0H14-0191-05	05-05	AA	DE

- 1 CUSTOMER MUST PROTECT BACK END AGAINST ARC OVER & BREAKDOWN IF BULKHEAD & MOUNTING HARDWARE ARE METALLIC & AT GROUND POTENTIAL.
- 2 MARKED PER MIL-STD-130.
- 3 THIS PART REQUIRES A MINIMUM AQL 0.65 TIGHTENED-LEVEL III INSPECTION PER MIL-STD 105E. INSPECTION SAMPLE IS TO BE SEPARATELY BAGGED OR IDENTIFIED. CERTIFICATE OF COMPLIANCE IS REQUIRED WITH DELIVERY OF PARTS.
- 4. RECEPTACLE TO MATE WITH ANY AMP LGH-1 LEAD ASSY.



REMARKS	DESCRIPTION	PART NO.
-	RCPT ASSY (TIN PLATED PIN)	5-858827-1
3	RCPT ASSY (TIN-LEAD PLATED PIN)	858827-5
-	RCPT ASSY (GOLD PLATED PIN)	858827-2
-	RCPT ASSY (TIN-LEAD PLATED PIN)	858827-1

THIS DRAWING IS A CONTROLLED DOCUMENT.		DWN C.C.THOMAS 27-MAY-93	Tyco Electronics Corporation	
DIMENSIONS: INCHES		CHK D.EABY 02-JUN-93	Harrisburg, Pa 17105-3608	
TOLERANCES UNLESS OTHERWISE SPECIFIED:		APVD D.EABY 02-JUN-93	NAME	
0 PLC ± -		PRODUCT SPEC	BULKHEAD	
1 PLC ± -		APPLICATION SPEC	RCPT ASSY	
2 PLC ± .02[0.5]			LGH-1	
3 PLC ± .005[0.13]			SIZE A2	CAGE CODE 00779
4 PLC ± -			DRAWING NO C=858827	RESTRICTED TO -
ANGLES ± -		WEIGHT -	SCALE 2:1	SHEET 1 OF 1
FINISH -		CUSTOMER DRAWING	REV K	